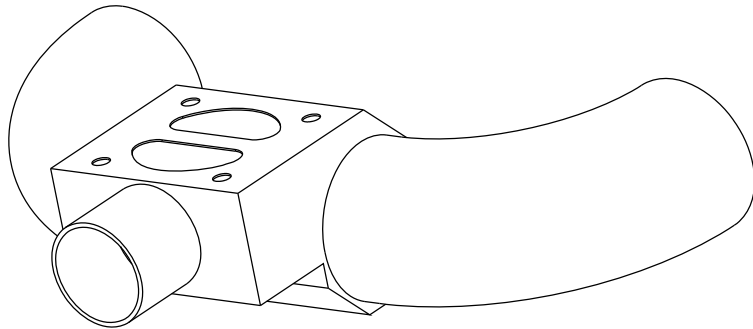
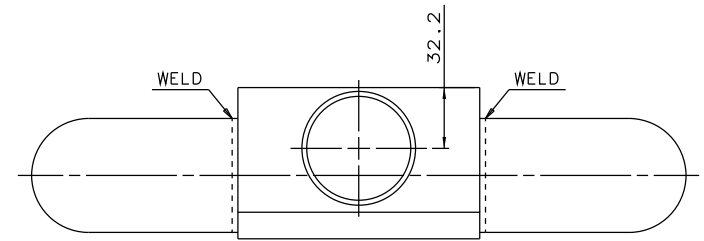
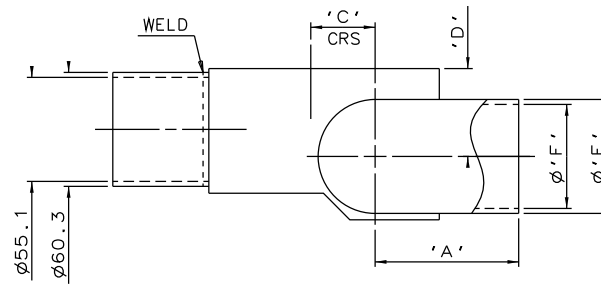
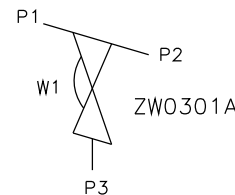
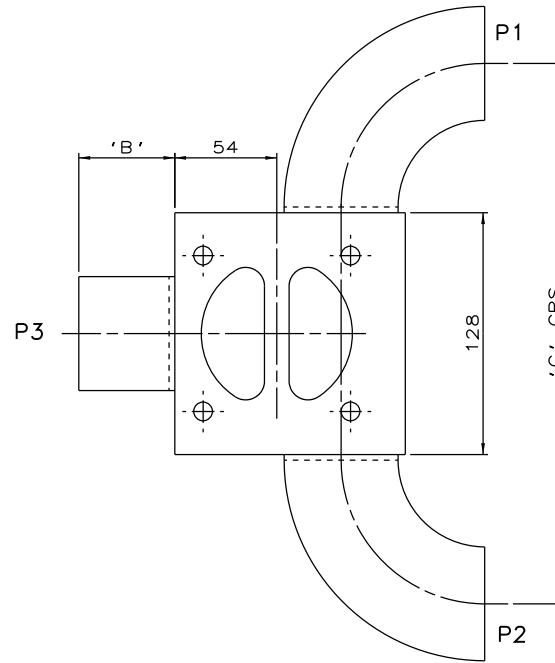


DN50 MAINLINE ONLY



DN65 TO DN100
MAINLINE ONLY



ORIENTATION AS PER
P&ID DIAGRAM FOR
OPTIMUM DRAINABILITY.

The information on this sheet is Private and Confidential and is the property of Crane Process Flow Technologies Limited and must not be published directly or indirectly in any manner whatsoever without the written permission of the Company and must not be used in any way detrimental to their interests.
© Crane Process Flow Technologies

CRANE Process Flow Technologies
A Crane Co. Company

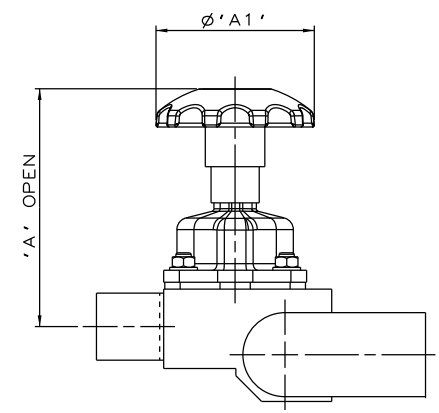
Saunders
The Science Inside

Title

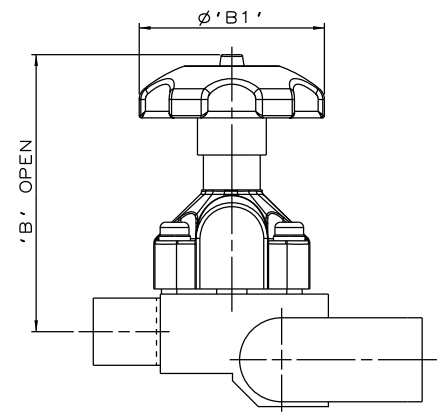
SCHEDULE OF LEADING DIMENSIONS FOR
DN50 WEIR POINT OF USE 'T' BODY WITH
ISO 1127 S1 BUTT WELD ENDS

Drawn R1	Date 10.04.12	UNCONTROLLED IN HARD COPY FORMAT	
Checked RND	Date 10.04.12		
First Angle Projection Method E	DO NOT SCALE	Drawing No. WEB-181	Issue. 1

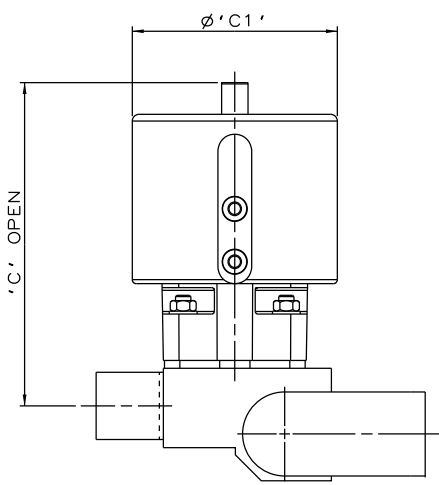
MAINLINE SIZE	A	B	C	D	øE	øF	G	BODY WEIGHT
mm	mm	mm	mm	mm	mm	mm	mm	Kgs
DN50	76.0	50.8	34.1	46.5	60.3	55.1	286.0	6.2
DN65	95.0	50.8	42.0	55.0	76.1	70.9	338.0	6.8
DN80	114.0	50.8	48.4	60.0	88.9	83.7	376.0	7.5
DN100	152.0	50.8	61.1	70.0	114.3	109.1	452.0	9.9



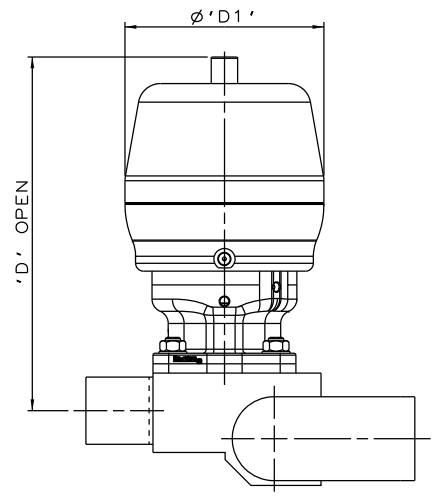
SS NON SEALED
BONNET ASSEMBLY



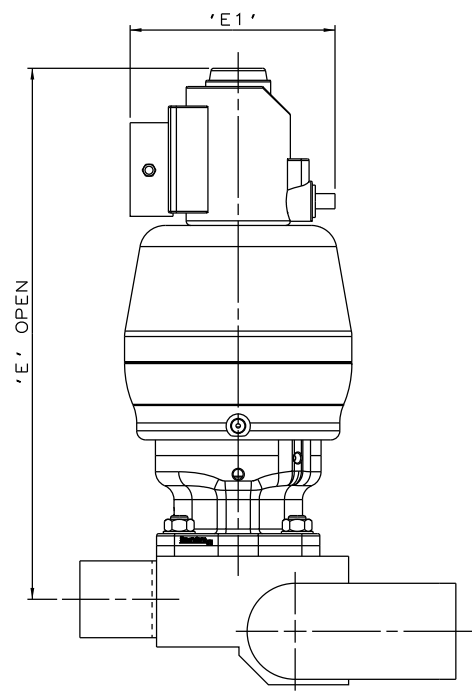
PES BONNET
ASSEMBLY



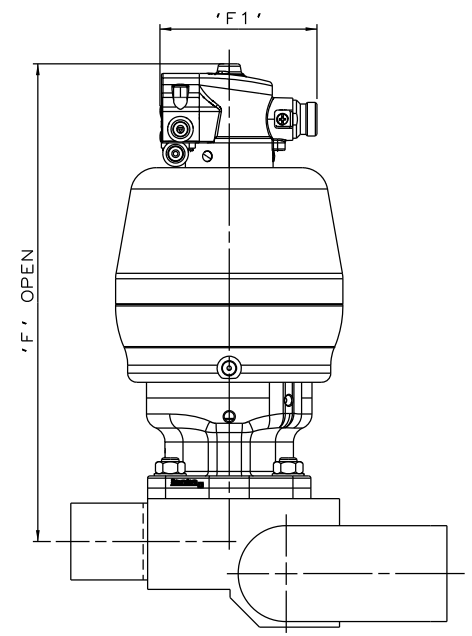
EC ACTUATOR
(ALL MODES)



*S360 ACTUATOR



*S360 ACTUATOR
WITH I-VUE SENSOR



*S360 ACTUATOR
WITH M-VUE SENSOR

The information on this sheet is Private and Confidential and is the property of Crane Process Flow Technologies Limited and must not be published directly or indirectly in any manner whatsoever without the written permission of the Company and must not be used in any way detrimental to their interests.
© Crane Process Flow Technologies

CRANE	Process Flow Technologies A Crane Co. Company	Saunders The Science Inside
--------------	--	---------------------------------------

Title
SCHEDULE OF LEADING DIMENSIONS FOR DN50/2.00
WEIR 'T' BODY WITH BUTT WELD ISO 1127 S1
ENDS, FITTED WITH TOPWORKS OPTIONS

Drawn JRD	Date 15.09.16	UNCONTROLLED IN HARD COPY FORMAT
Checked RND	Date 15.09.16	

First Angle Projection Method E		DO NOT SCALE	Drawing No. WEB-181-ASSY	Issue. 1
---------------------------------------	--	-----------------	-----------------------------	-------------

*DIMENSIONS SHOW MAXIMUM ENVELOPE FOR ALL MODES

BRANCH SIZE		A		A1		B		B1		C		C1		D		D1		E		E1		F		F1	
mm	inch	mm	inch	mm	inch	mm	inch	mm	inch	mm	inch	mm	inch	mm	inch	mm	inch	mm	inch	mm	inch	mm	inch	mm	inch
DN50	2.00	184.2	7.25	120.0	4.72	213.2	8.39	140.0	5.51	248.2	9.77	155.0	6.10	271.2	10.68	150.0	5.92	355.2	13.98	136.0	5.35	319.2	12.57	103.8	4.09